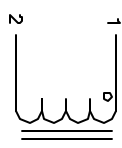


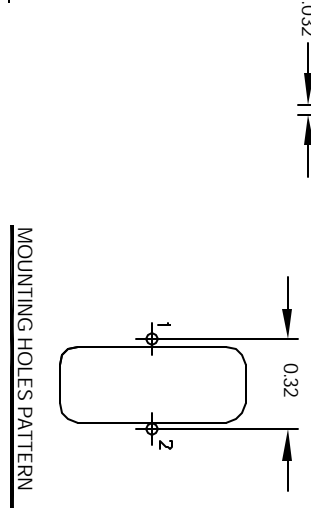
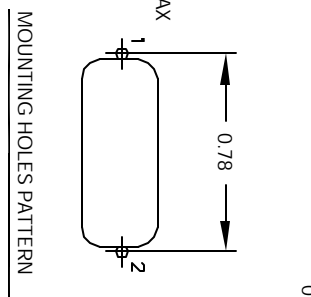
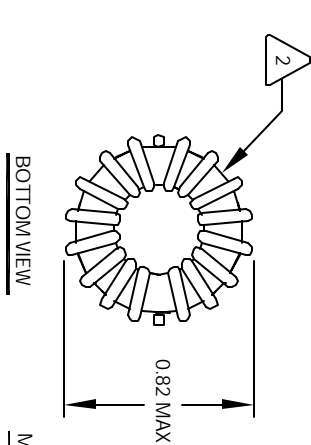
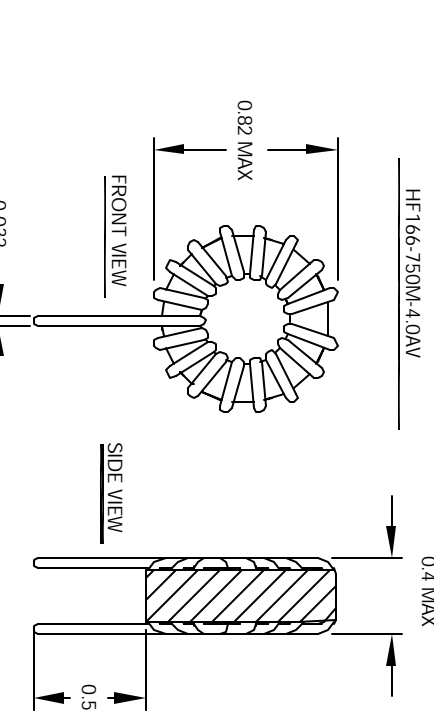
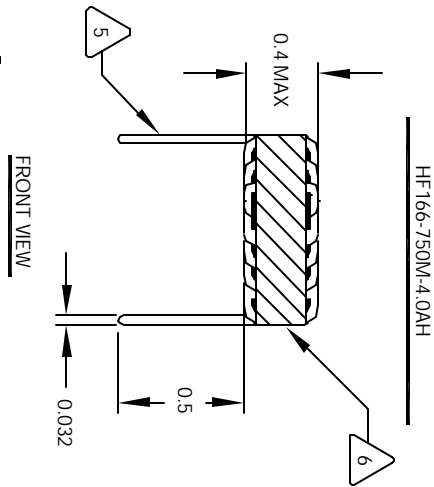
The information contained in this drawing is the sole property of CWS Coil Winding Specialist. Any reproduction in part or whole without written permission of CWS Coil Winding Specialist is prohibited.

| REVISION HISTORY |     |                    |        |
|------------------|-----|--------------------|--------|
| REV              | ECN | DESCRIPTION        | DATE   |
| A                |     | PRODUCTION RELEASE | 2/9/04 |



SCHEMATIC

- 1 TO THE CORE
- 2 MUST REST FLAT ON PCB. LEADS MUST BE TANGENT FLUSH WITH THE COIL EDGE. AS SHOWN (I.E. COIL REMOVE INSULATION AND TIN LEADS 0.5 INCH
- 3 WIND COILS EVENLY SPACED AROUND THE CORE CONSTRUCTION:
- 4 HI-POT TEST FOR WINDING TO CORE ISOLATION = 500VDC MIN CURRENT RATING : 4.0 AMPS, 40 °C TEMP. RISE, NO AIR FLOW DCR = 45.0 MILLI-OHMS MAX. DC BIASED = 4.0 AMPS, INDUCTANCE = 60 UH DC BIASED = 5.8 AMPS, INDUCTANCE = 60 UH INDUCTANCE = 75 UH +10% @ LOW DC BIAS, 1 KHz, 250mv
- 5 SPECIFICATIONS:
- 6 WIRE: UL RECOGNIZED 200°C RATED MAGNET WIRE CWS BYTE-MARK OR OTHER APPROVED PART CORE: COATED HIGH FLUX TOROIDAL CORE



- 1 MATERIAL: UL RECOGNIZED 94V-0 FOR FLAMMABILITY
- 2 RATING CLASS B (130°C MIN.) REQUIRED
- 3 NOTES: TOROIDAL POWER CHOKE. ALL DIMENSIONS IN INCHES

| CODE IDENT | MFG. P/N | DESCRIPTION   | ITEM NO. |
|------------|----------|---|----------|
|            |          | <b>PARTS LIST</b>   |          |
|            |          | CWS Coil Winding Specialist.<br>1510 E. Edinger Ave.<br>Unit B, Santa Ana, CA 92705 |          |
|            |          | <b>TITLE:</b><br>Toroidal Power Chokes  |          |
|            |          | <b>SIZE:</b> TOR. IN.   |          |
|            |          | HF166-750M-4.0A   | REV B    |
|            |          | <b>SCALE:</b> 2=1   |          |
|            |          | <b>SHEET:</b> 1 OF 1  |          |